

## Hybrid Stepper Motor Cylinder

### ► Advantages

- Offer the highest precision control of position.
- Can be networked and reprogrammed quickly.
- Provide complete control of motion, with encoders to control velocity, position.
- With lower noise compare with pneumatic and hydraulic actuators
- No fluids leaks and environmental hazards.



### ► Encoder and brake option



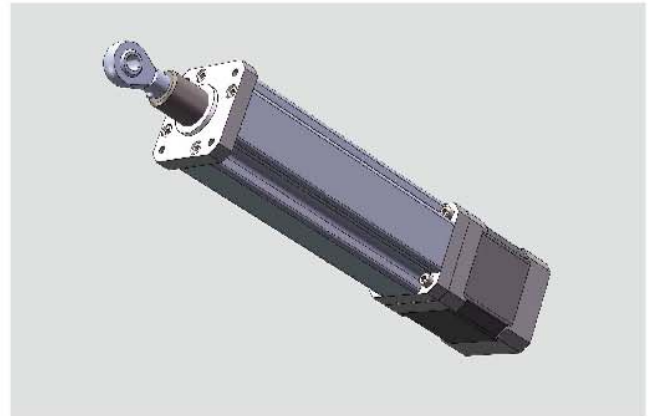
### ► Customization

- Winding modification (resistance and inductance)
- Magnet types to get higher linear force or increase/reduce detent torque
- Customize lead screw length
- Special mounting flange
- Lead wires type and length
- Connector and terminal
- Different IP(Ingress Protection)
- Push rod customer side mounting

## ► Hybrid Linear Stepper Motor



## ► Hybrid Stepper Motor Cylinder



## ► Motor size ----Force

	Motor Size	Max Push Force	Recommend Load Limitation
Hybrid Stepper Motor with Lead screw	EL20 stepper motor	78N	43N
	EL28 stepper motor	230N	150N
	EL35 stepper motor	450N	230N
	EL42 stepper motor	710N	230N
	EL57 stepper motor	1400N	920N
	EL86 stepper motor	2400N	2160N

## ► General information

Screw spindle material: stainless steel

Screw nut material: Plastic Peek

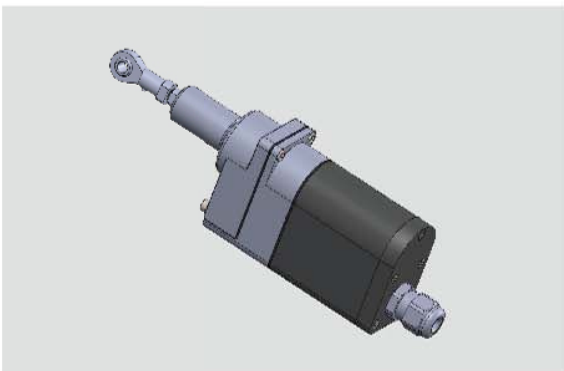
Environment temperature: -20°C to +90 °C.

Screw spindle line precision: 0.18/300mm

## DC Linear Actuator

### ► Advantages

- DC brushed motor ,spur gears and screw spindle assemble together with low cost
- Encoder feedback for control stroke position
- IP 65 design ( shaft sealing IP54 in motion condition)
- End stroke feedback for stopping.
- Can customize stroke of external linear version
- Long life time, more than 100K cycles at 50mm stroke and 30Kg load.



### ► Customization

- Winding modification for different speed and load requirement
- Motor input voltage
- Magnet types to get higher linear force
- Motor type BLDC motor and stepping motor also option.
- Customize lead screw length
- Special mounting flange
- Lead wires type and length
- Connector and terminal
- Different IP(Ingress Protection)
- Push rod customer side mounting

## DC Linear Actuator

### ▶ 857 Series



### ▶ 857A Series



### ▶ Motor size

Part No.	Input voltage	Rated load (N)	Max. Stroke (mm)	Push speed with load ( $\geq$ mm/s)	IP class	Feedback of stroke (pulse/motor shaft turn)	Feedback of end stroke
EL857A-24DC50-200	24VDC	200	50	12	IP40	1	No
EL857A-24DC50-300	24VDC	300	50	12	IP40	1	No
EL857A-24DC00-200	24VDC	200	500(External linear)	12	IP20	1	No
EL857A-24DC00-200	24VDC	300	500(External linear)	12	IP20	1	No
EL857-24DC50-200	24VDC	200	50	15	Ip65	2	Yes
EL857-24DC50-300	24VDC	300	50	15	Ip65	2	Yes
EL857-24DC00-200	24VDC	200	500(External linear)	15	IP20	2	Yes
EL857-24DC00-300	24VDC	300	500(External linear)	15	IP20	2	Yes